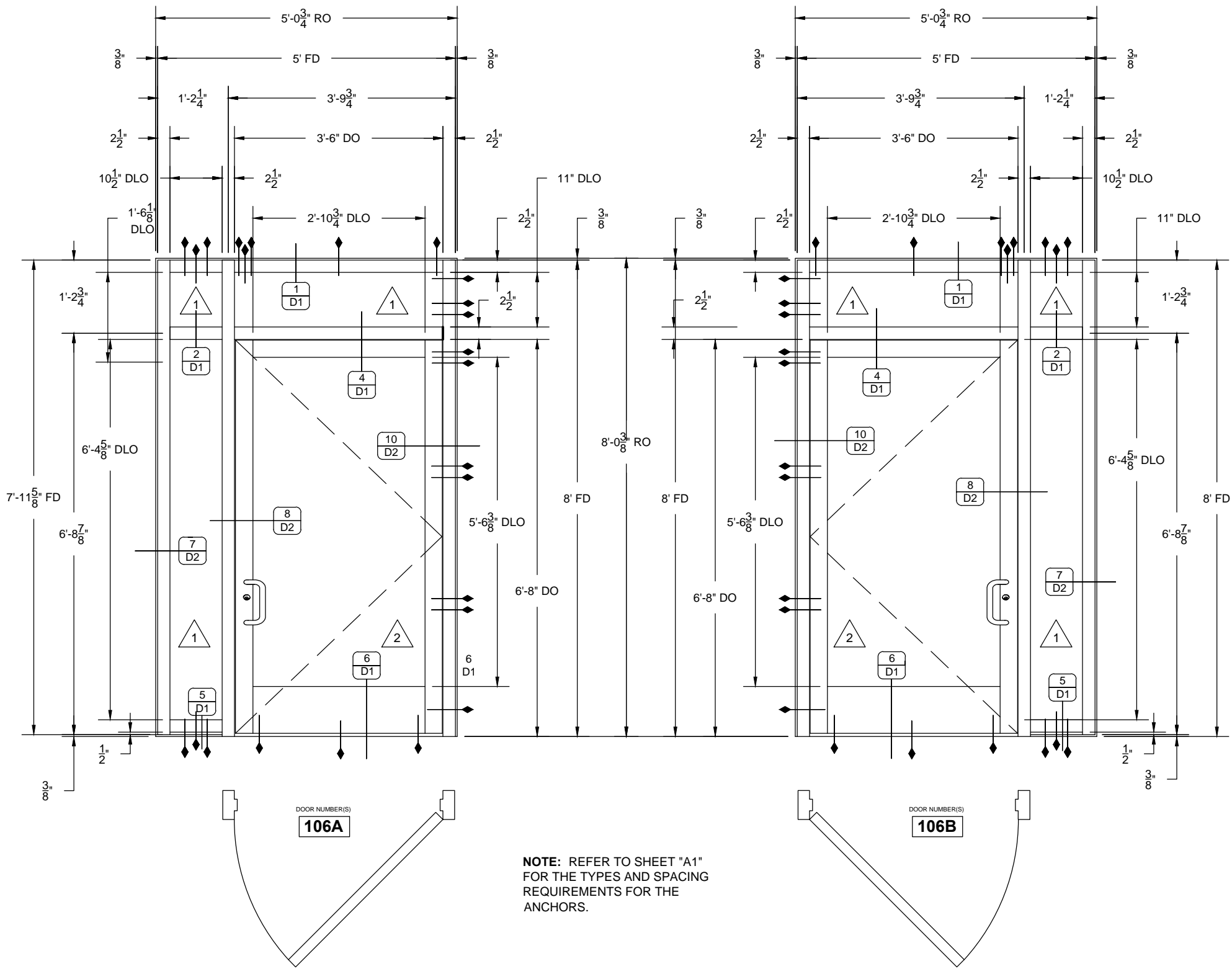


DATE	DESCRIPTION
06/10/19	First Submittal

CONTRACTOR'S GLASS PRODUCTS
 7701 WEBER RD, CORPUS CHRISTI, TX 78315
 WORK (361) 854-8188 FAX (361) 854-4412

PROJECT
 SEA GULL CONDOMINIUMS
DOOR REPLACEMENT
 ARCHITECT
 E.D.R. ARCHITECTS
 (361) 452-1683
 GENERAL CONTRACTOR
 TEXAS BUILDING PARTNERS, INC.
 (361) 299-5426

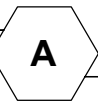
PROJECT NO.	CGP-1905-04
DRAWN BY	fp
DATE	06/10/19
SCALE	1/2" = 1'-0"
DRAWING	ELEVATIONS
SHEET	E1



HARDWARE: SPECIFICATION (EA.)
 BUTT HINGES
 TDI-APPROVED 3-POINT DEAD BOLT LOCK, CYLINDER, AND THUMBTURN
 C-90 PUSH PULLS
 ADA 10" BOTTOM RAIL
 THRESHOLDS
 OVERHEAD SURFACE-MOUNTED ADJUSTABLE CLOSERS
 STANLEY MAGIC FORCE LOW-ENERGY OPERATOR W/ WIRELESS ACTIVATION

ELEVATION

QUANTITY: 1
 SCALE: 1/2" = 1'-0"
 ARCH REF: N/A
 DOOR NUMBER(S): 106A

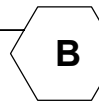


STOREFRONT ENTRANCE

KAWNEER, IR 501 IMPACT RESISTANT ALUMINUM STOREFRONT
 KAWNEER, 350 IR MEDIUM STILE DOOR ON IR 501 FRAMING

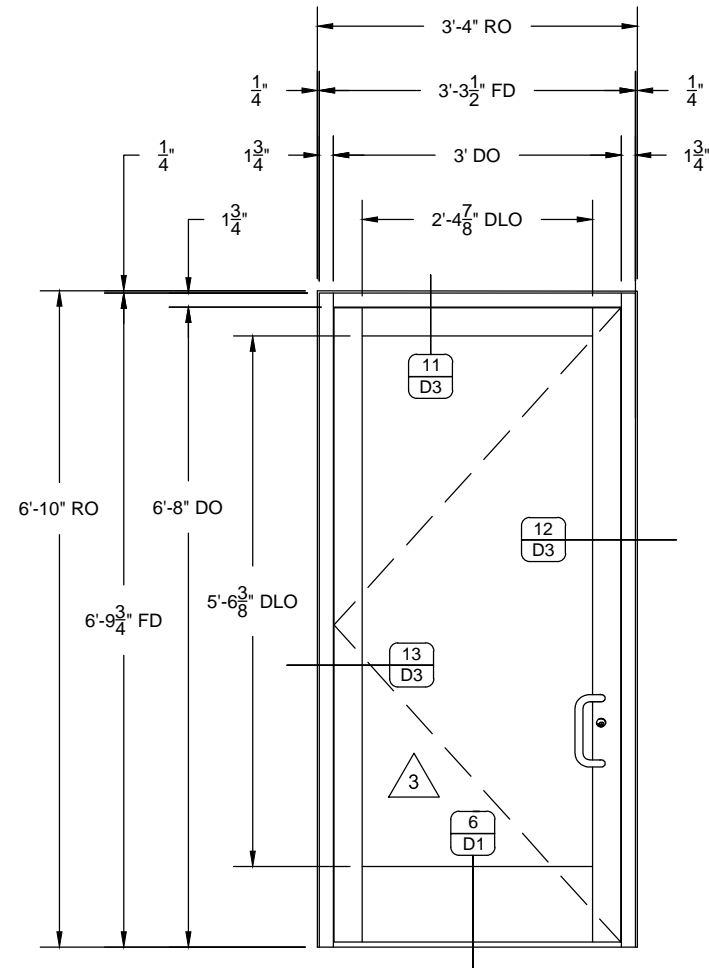
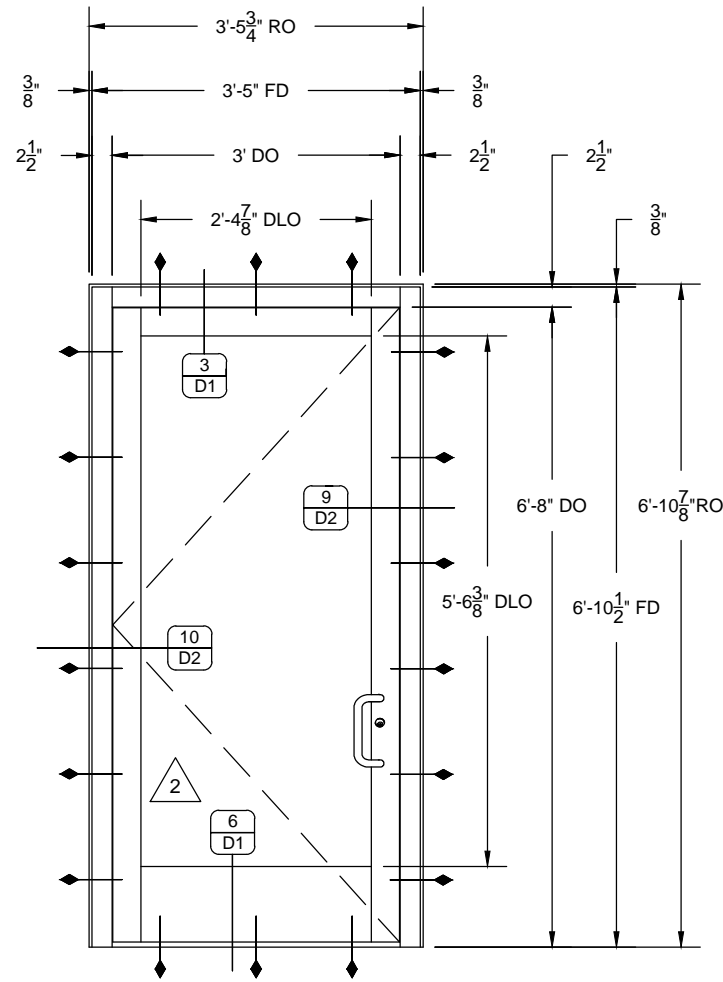
ELEVATION

QUANTITY: 1
 SCALE: 1/2" = 1'-0"
 ARCH REF: N/A
 DOOR NUMBER(S): 106B



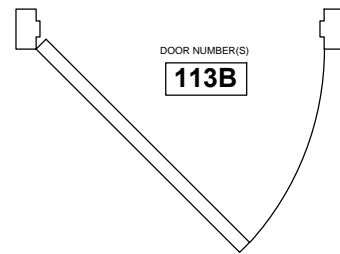
STOREFRONT ENTRANCE

KAWNEER, IR 501 IMPACT RESISTANT ALUMINUM STOREFRONT
 KAWNEER, 350 IR MEDIUM STILE DOOR ON IR 501 FRAMING

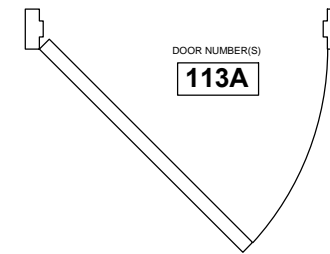


HARDWARE: SPECIFICATION (EA.)

- BUTT HINGES
- TDI-APPROVED 3-POINT DEAD BOLT LOCK, CYLINDER, AND THUMBTURN
- C-90 PUSH PULLS
- ADA 10\"/>

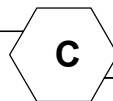


NOTE: REFER TO SHEET "A1" FOR THE TYPES AND SPACING REQUIREMENTS FOR THE ANCHORS.



ELEVATION

QUANTITY: 1
 SCALE: 1/2" = 1'-0"
 ARCH REF: N/A
 DOOR NUMBER(S): 113B

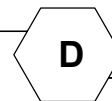


STOREFRONT ENTRANCE

KAWNEER, IR 501 IMPACT RESISTANT ALUMINUM STOREFRONT
 KAWNEER, 350 IR MEDIUM STILE DOOR ON IR 501 FRAMING

ELEVATION

QUANTITY: 1
 SCALE: 1/2" = 1'-0"
 ARCH REF: N/A
 DOOR NUMBER(S): 113A



STOREFRONT ENTRANCE

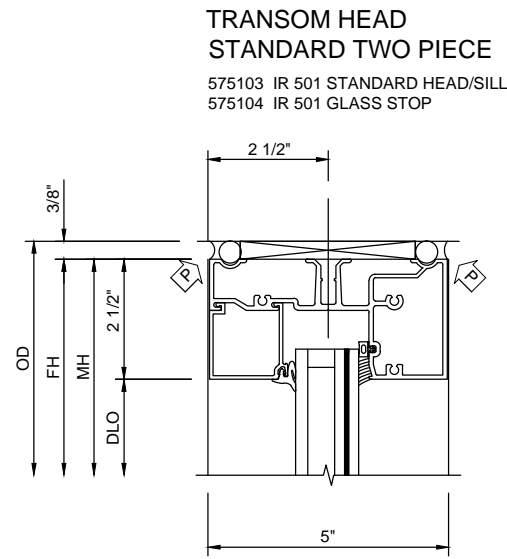
KAWNEER, TRIFAB VG 450 ALUMINUM STOREFRONT
 KAWNEER, 350 MEDIUM STILE DOOR ON IR 501 FRAMING

NO.	DATE	DESCRIPTION
1	06/10/19	First Submittal

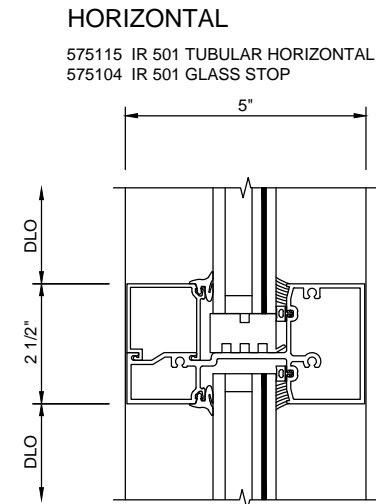
CONTRACTOR'S GLASS PRODUCTS
 7701 WEBER RD, CORPUS CHRISTI, TX 78315
 WORK (361) 854-8188 FAX (361) 854-4412

PROJECT: SEA GULL CONDOMINIUMS
DOOR REPLACEMENT
 ARCHITECT: E.D.R. ARCHITECTS
 (361) 482-1883
 GENERAL CONTRACTOR: TEXAS BUILDING PARTNERS, INC.
 (361) 299-5426

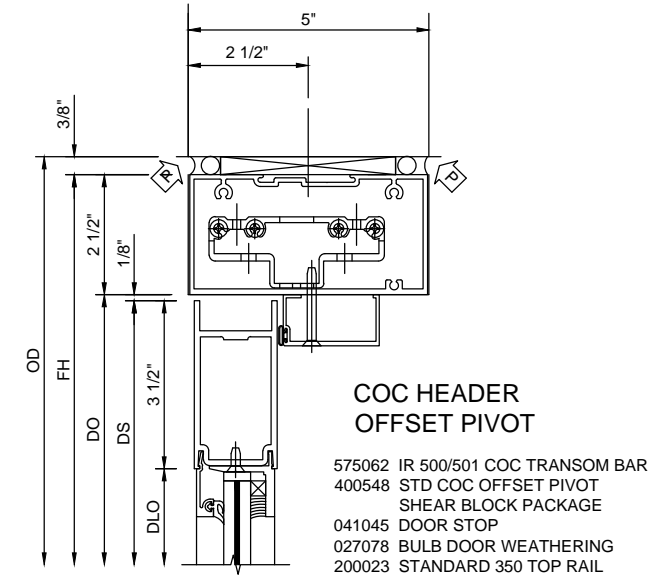
PROJECT NO.	CGP-1905-04
DRAWN BY	fp
DATE	06/10/19
SCALE	1/2" = 1'-0"
DRAWING	ELEVATIONS
SHEET	E2



**TRANSOM HEAD
STANDARD TWO PIECE**
 575103 IR 501 STANDARD HEAD/SILL
 575104 IR 501 GLASS STOP



HORIZONTAL
 575115 IR 501 TUBULAR HORIZONTAL
 575104 IR 501 GLASS STOP



**COC HEADER
OFFSET PIVOT**
 575062 IR 500/501 COC TRANSOM BAR
 400548 STD COC OFFSET PIVOT
 SHEAR BLOCK PACKAGE
 041045 DOOR STOP
 027078 BULB DOOR WEATHERING
 200023 STANDARD 350 TOP RAIL

DETAIL
 SCALE: 3" = 1'-0"
 ARCH REF: N/A

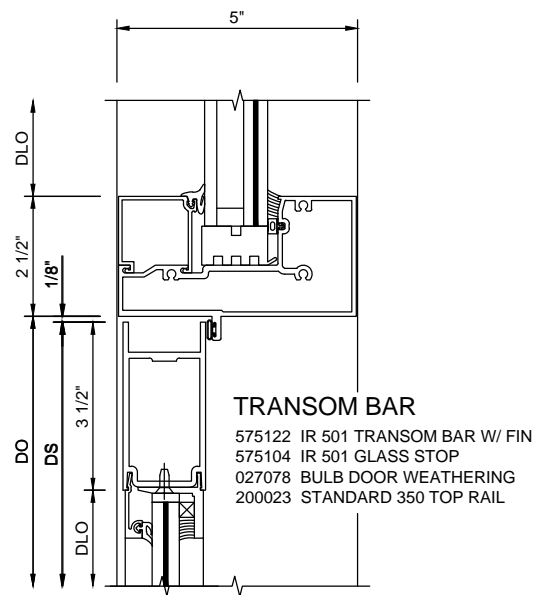
1 TRANSOM HEAD
 GLASS WALL SYSTEM TYPE:
 KAWNEER, IR 501 IMPACT RESISTANT ALUMINUM STOREFRONT

DETAIL
 SCALE: 3" = 1'-0"
 ARCH REF: N/A

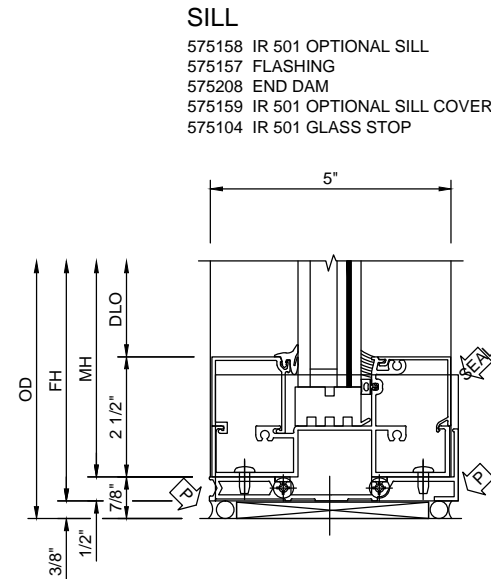
2 HORIZONTAL
 GLASS WALL SYSTEM TYPE:
 KAWNEER, IR 501 IMPACT RESISTANT ALUMINUM STOREFRONT

DETAIL
 SCALE: 3" = 1'-0"
 ARCH REF: #/A#.#
 #/A#.#
 #/A#.#

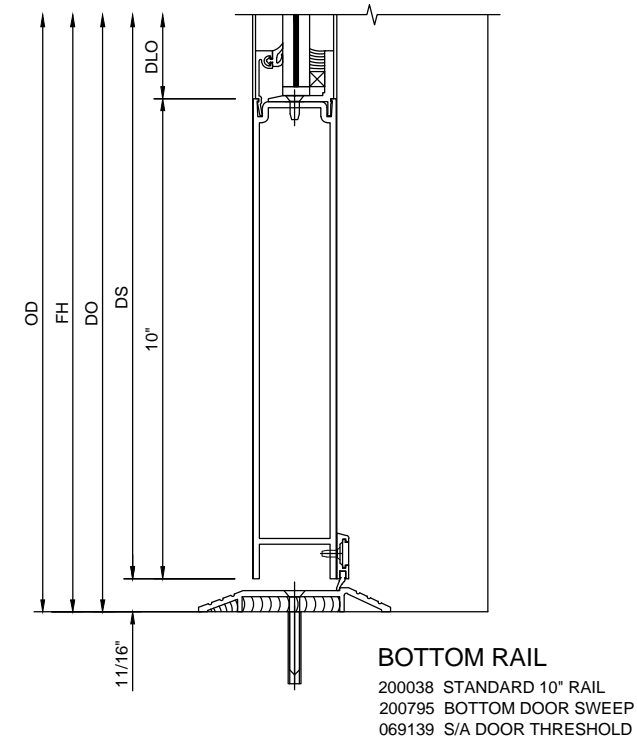
3 DOOR HEAD
 GLASS WALL SYSTEM TYPE:
 KAWNEER, 350 IR MEDIUM STILE DOOR ON IR501 ALUMINUM STOREFRONT



TRANSOM BAR
 575122 IR 501 TRANSOM BAR W/ FIN
 575104 IR 501 GLASS STOP
 027078 BULB DOOR WEATHERING
 200023 STANDARD 350 TOP RAIL



SILL
 575158 IR 501 OPTIONAL SILL
 575157 FLASHING
 575208 END DAM
 575159 IR 501 OPTIONAL SILL COVER
 575104 IR 501 GLASS STOP



BOTTOM RAIL
 200038 STANDARD 10" RAIL
 200795 BOTTOM DOOR SWEEP
 069139 S/A DOOR THRESHOLD

DETAIL
 SCALE: 3" = 1'-0"
 ARCH REF: N/A

4 TRANSOM HEAD
 GLASS WALL SYSTEM TYPE:
 KAWNEER, 350 IR MEDIUM STILE DOOR ON IR501 ALUMINUM STOREFRONT

DETAIL
 SCALE: 3" = 1'-0"
 ARCH REF: N/A

5 SILL
 GLASS WALL SYSTEM TYPE:
 KAWNEER, IR 501 IMPACT RESISTANT ALUMINUM STOREFRONT

DETAIL
 SCALE: 3" = 1'-0"
 ARCH REF: N/A

6 BOTTOM RAIL
 GLASS WALL SYSTEM TYPE:
 KAWNEER, 350 IR MEDIUM STILE DOOR

NO.	DATE	BY	DESCRIPTION
1	06/10/19	fp	First Submittal

CONTRACTOR'S GLASS PRODUCTS
 7701 WEBER RD, CORPUS CHRISTI, TX 78315
 WORK (361) 854-8188 FAX (361) 854-4412

PROJECT
 SEA GULL CONDOMINIUMS
DOOR REPLACEMENT
 ARCHITECT
 E.D.R. ARCHITECTS
 (361) 452-1683
 GENERAL CONTRACTOR
 TEXAS BUILDING PARTNERS, INC.
 (361) 299-5426

PROJECT NO.	CGP-1905-04
DRAWN BY	fp
DATE	06/10/19
SCALE	3" = 1'-0"
DRAWING	DETAILS
SHEET	D1